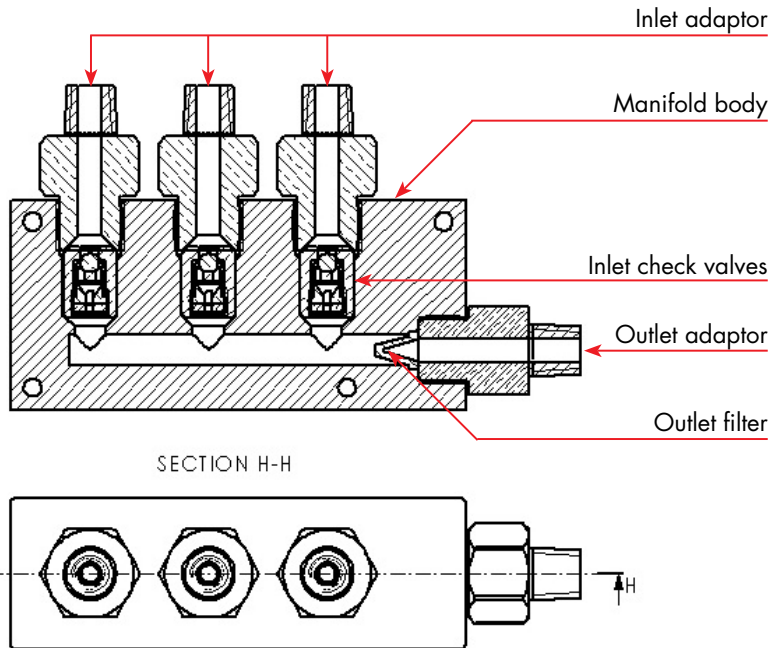


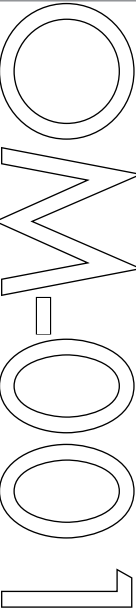


● High Pressure Standalone Oxygen Manifold

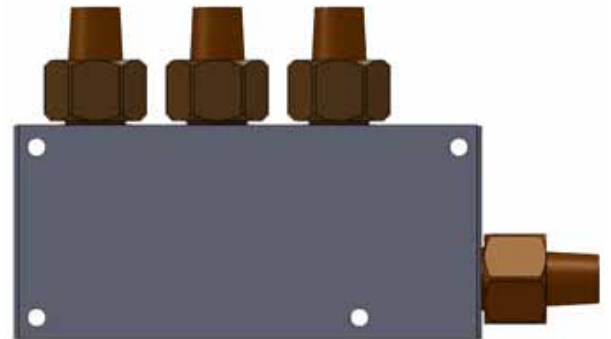
For aircraft and other high pressure oxygen systems



- High Pressure Oxygen Manifold (HPOM)
- Outlet has 7 micron (Nominal) Sintered Bronze Filter
- Number of inlet ports is expandable upon request
- Custom fitting styles and mounting points available
- Complete Isolation of gas sources by all metallic inlet check valves
- No nonmetallic seats, seals or lubricants used
- Completely non-flammable (manifold and sub-parts) with body made from Brass AS1567-385



Feature	Option	Description
Inlet Fitting	1	7/16" X 20 UNJF - 3A thread with 37° male taper, conforms to: MS33656 STYLE G SIZE 4
	2	1/4" NPT Male
	C	Custom – please specify
Outlet Fitting	1	7/16" X 20 UNJF - 3A thread with 37° male taper, conforms to: MS33656 STYLE G SIZE 4
	2	Male 1/4 NPT
	C	Custom – please specify
Mounting	1	4 x 4.5mm holes
	C	Custom – please specify
Overall Length	...	140 mm *
Overall Height	...	82 mm *
Overall Width	...	32 mm
Mass - Check Valve	...	182 g (0.4 lb) *
Mass Overall	...	1500 g *



● Ordering Code

Include Option(s) from table to left:

OM-001-

Inlet Fitting _____

Outlet Fitting _____

Mounting _____

Please specify details for any custom requirements.

* Depends on end fittings